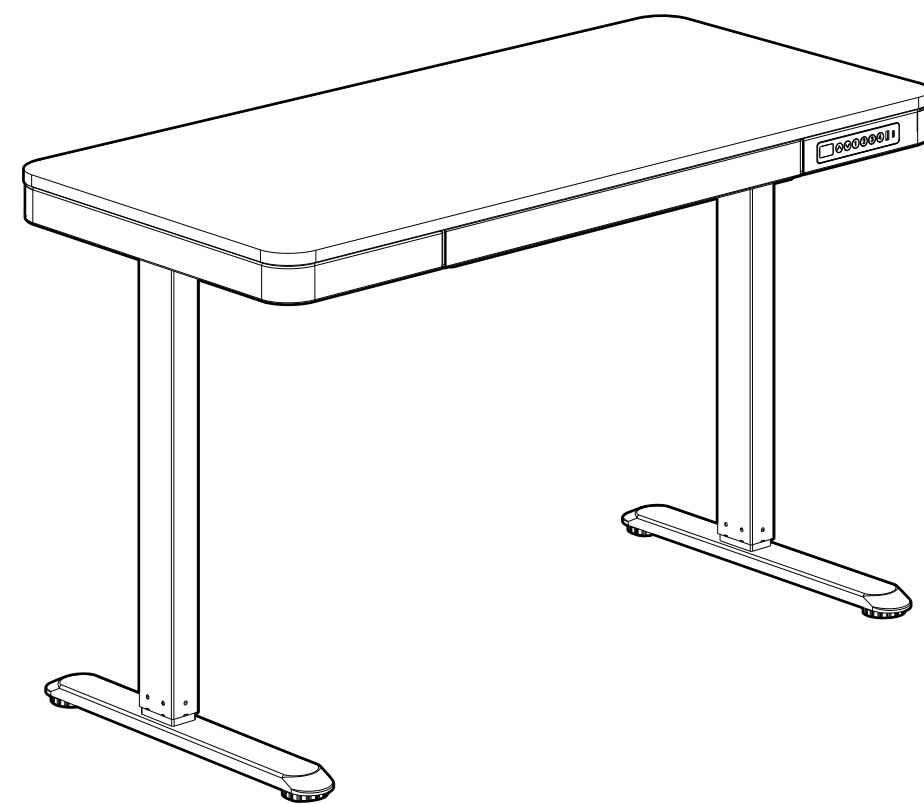




Freedom Smart Electric Standing Desk
Installation Guide



< The pictures below are for reference only, please refer to the actual product. >
Please read this product manual carefully before use, and keep it properly.

Technical Data

Column stage	2
Max. Load Capacity	50KG
Max. Speed	20mm/s
Lowest Height	735mm
Highest Height	1180mm
Applicable Tabletop Size	1204mmx604mm
Drawer Size	600mmx285mmx50mm

The product has been designed to meet Commission Regulation with regard to ecodesign requirements for electric power consumption of Low power consumption mode condition of electrical and electronic household equipment.
The technical information of Low power consumption mode condition:

Mode	Power consumption (Watts)	The period(Minutes)
Low power consumption mode condition	≤0.5W	1min

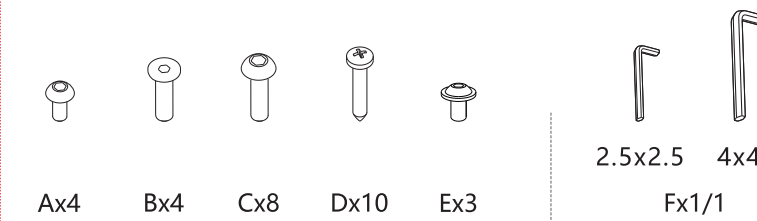
The website URL of the English - version electronic instruction manual:
www.backcs.co.uk/desk-instructions

Power Supply	
Manufacturer: Shenzhen RBD Technology Corporation	
Model: W60RA628-240025	Average Active Efficiency: ≥88.0%
Rated Input: 100-240VAC,50/60Hz,1.5A	Efficiency at Low Load (10%): 86.79%
Rated Output: 24.0VDC,2.5A,60.0W	No-load Power Consumption: ≤0.21 W

Product List

Accessory List

Note: The line drawings below are for reference only and may differ slightly from the physical product in some cases. Please refer to the actual product for accuracy. If any tools are missing or there are problems with installation, please contact customer service.



Preparation before installation

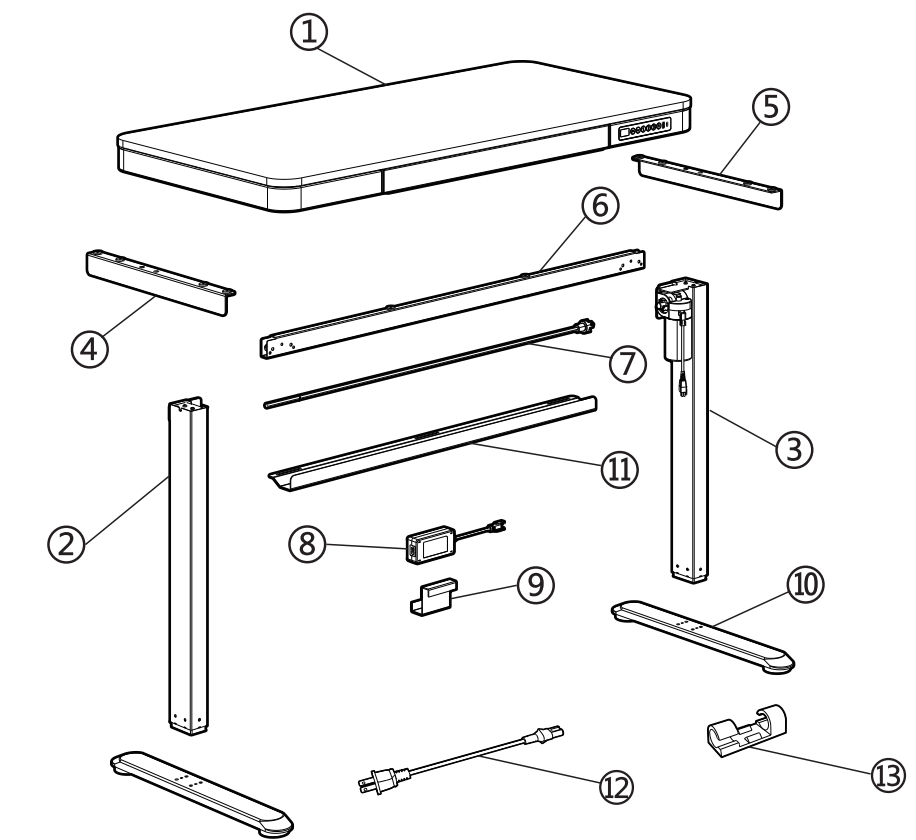


Part List

No.	Part
①	Tabletop x1
②	Left Column x1
③	Right Column x1
④	Left Bracket x1
⑤	Right Bracket x1
⑥	Beam x1
⑦	Transmission Rod x1

No.	Part
⑧	Adapter x1
⑨	Power Adaptor Bracket x1
⑩	Pedestal x2
⑪	Baffle x1
⑫	AC Power Cable x1
⑬	Cable Clip x4

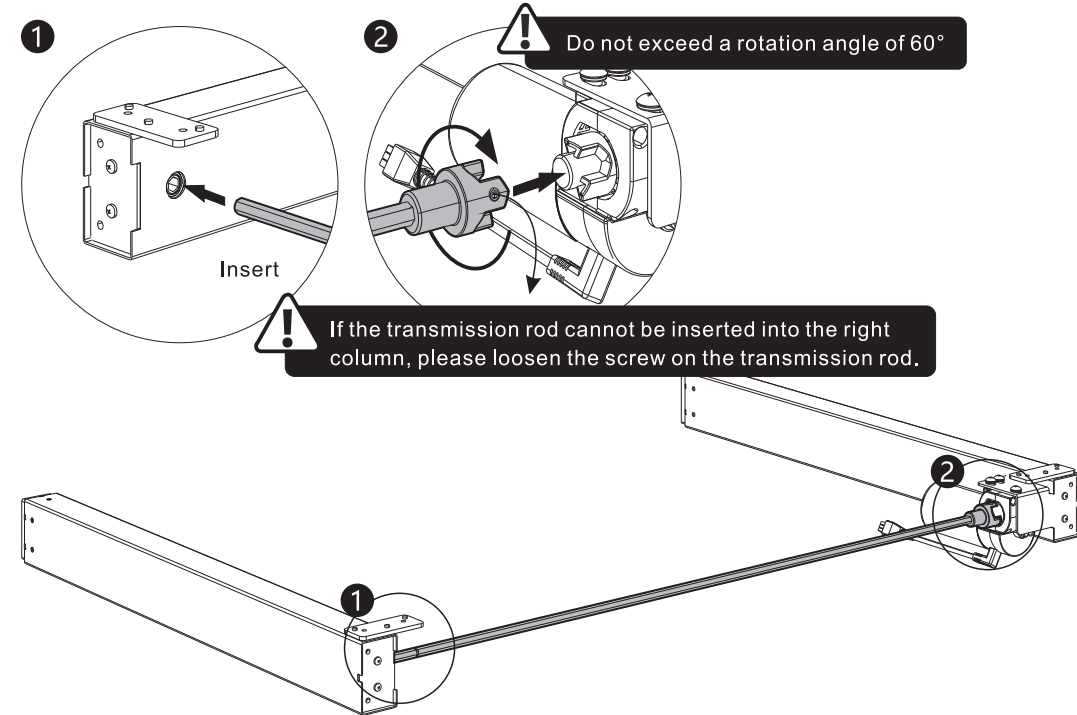
Installation Instruction



Installation Steps

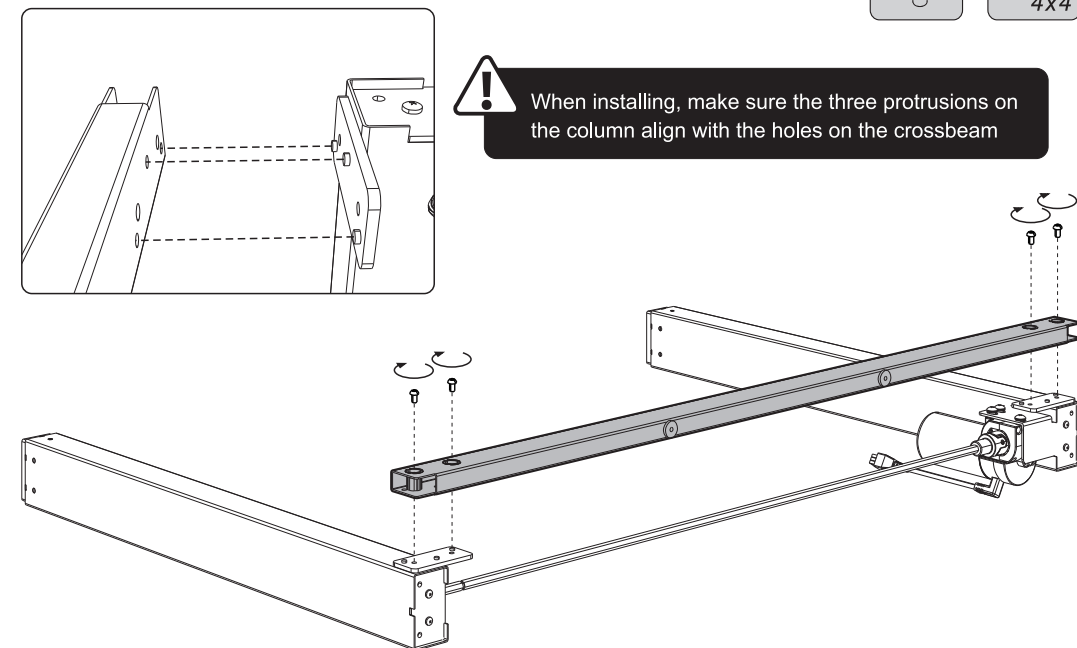
STEP1 Install the Transmission rod

F x1
2.5x2.5



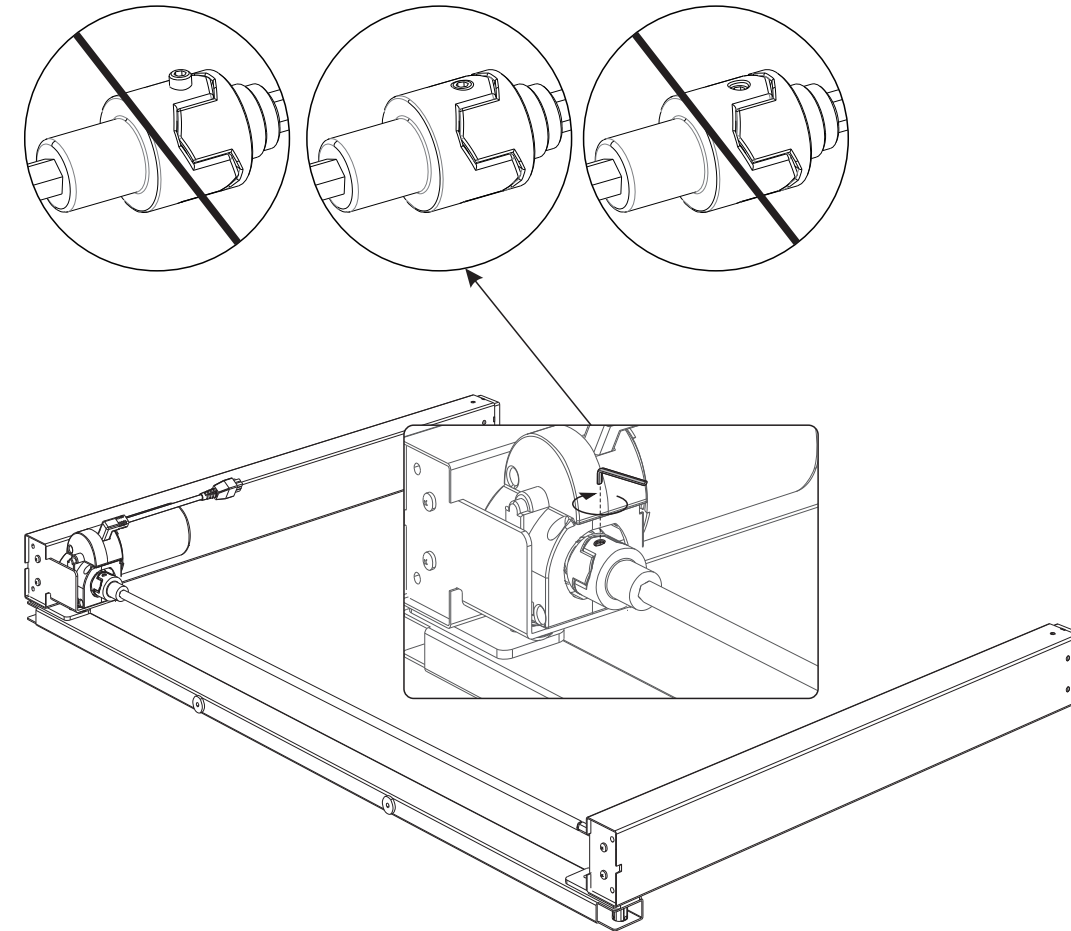
STEP2 Install the beam

A x4
F x1
4x4



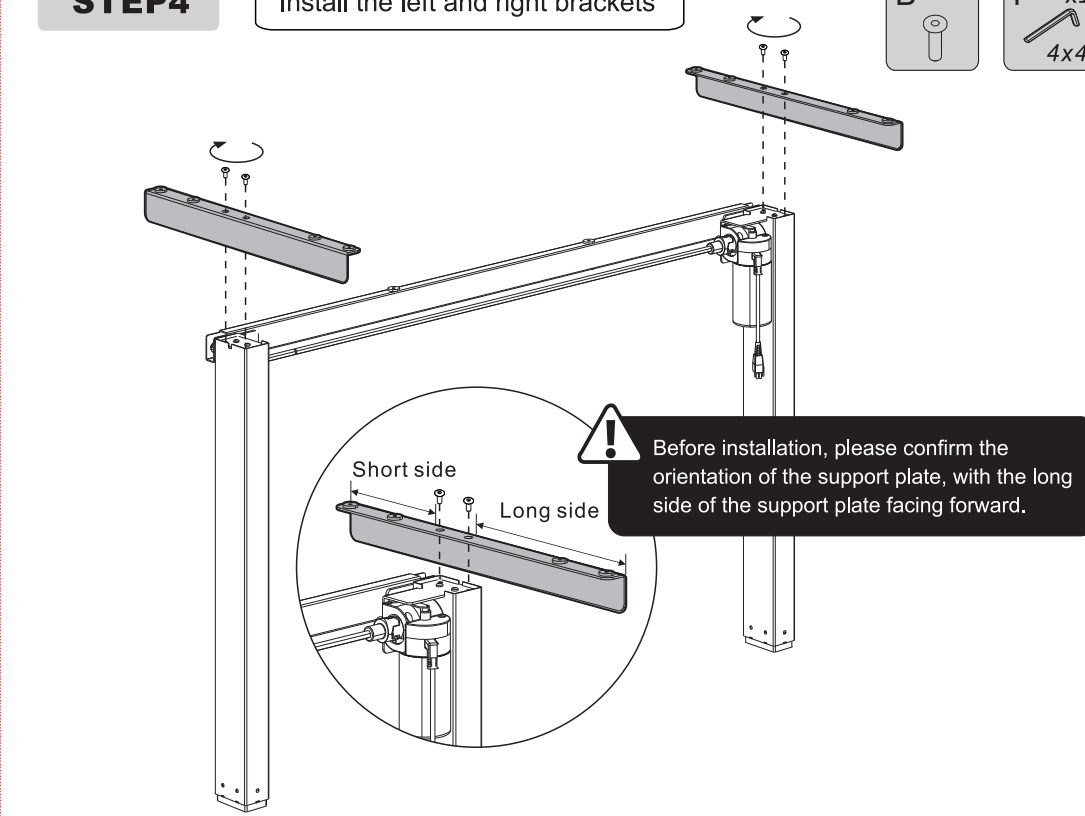
STEP3 Tighten the transmission rod

F x1
2.5x2.5



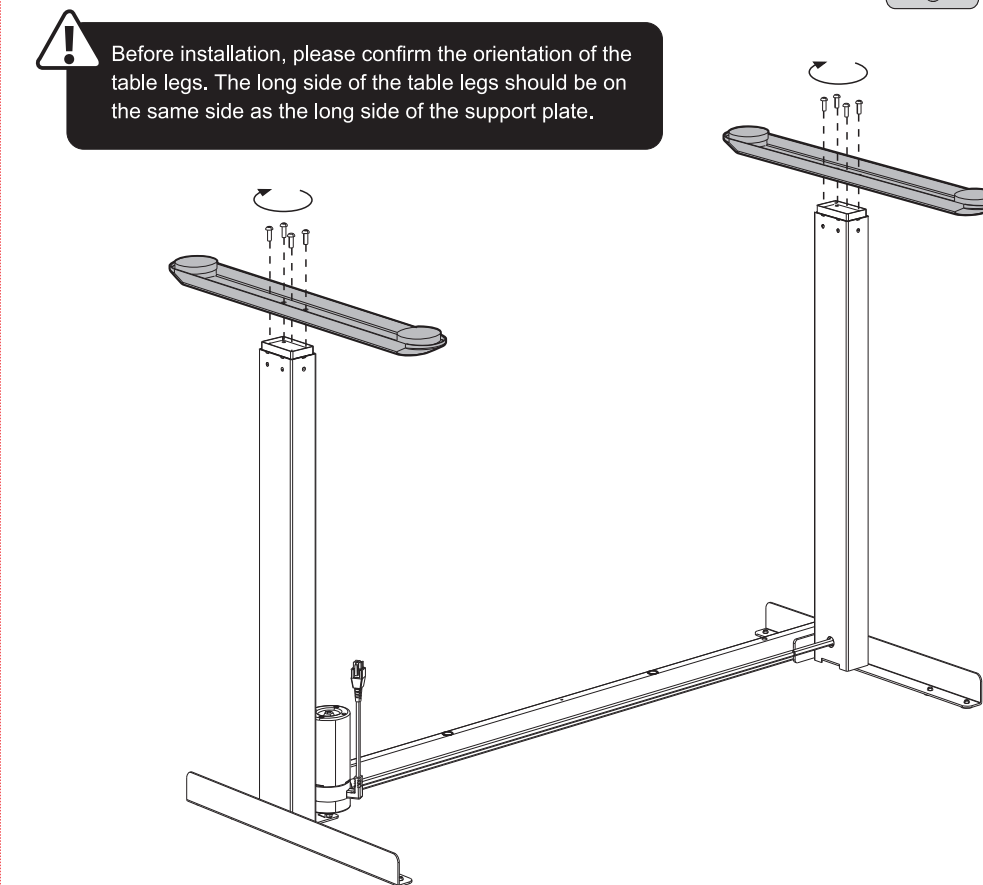
STEP4 Install the left and right brackets

B x4
F x1
4x4

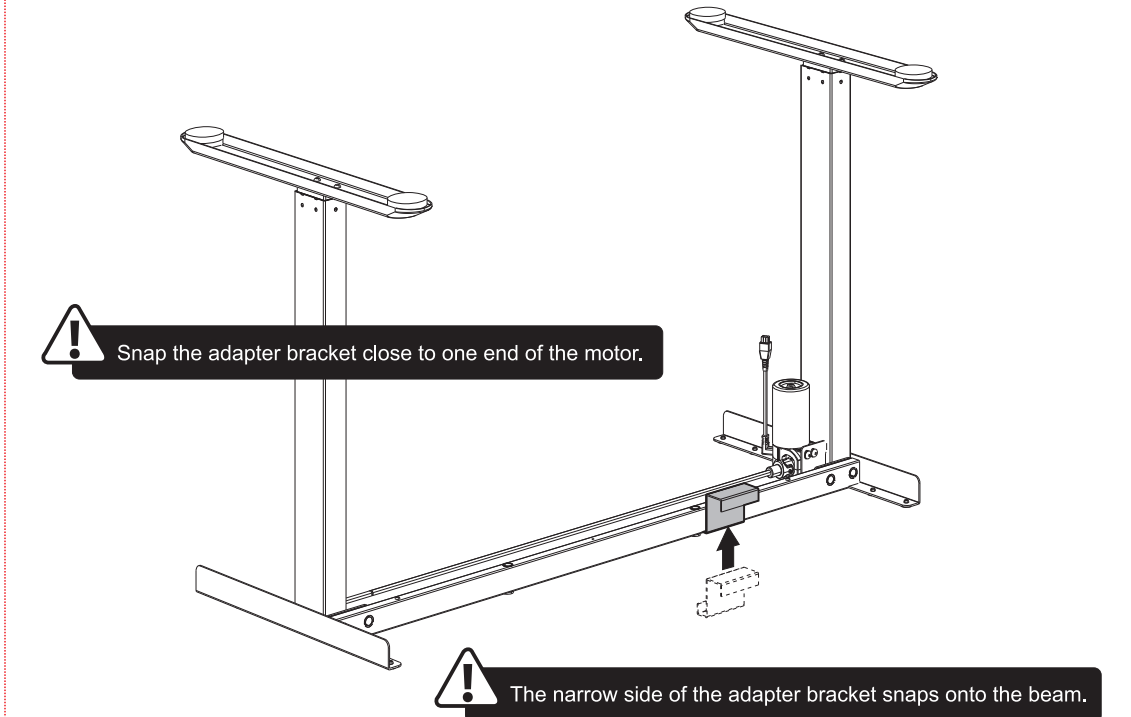


STEP5 Install the Pedestal

C x8
F x1
4x4



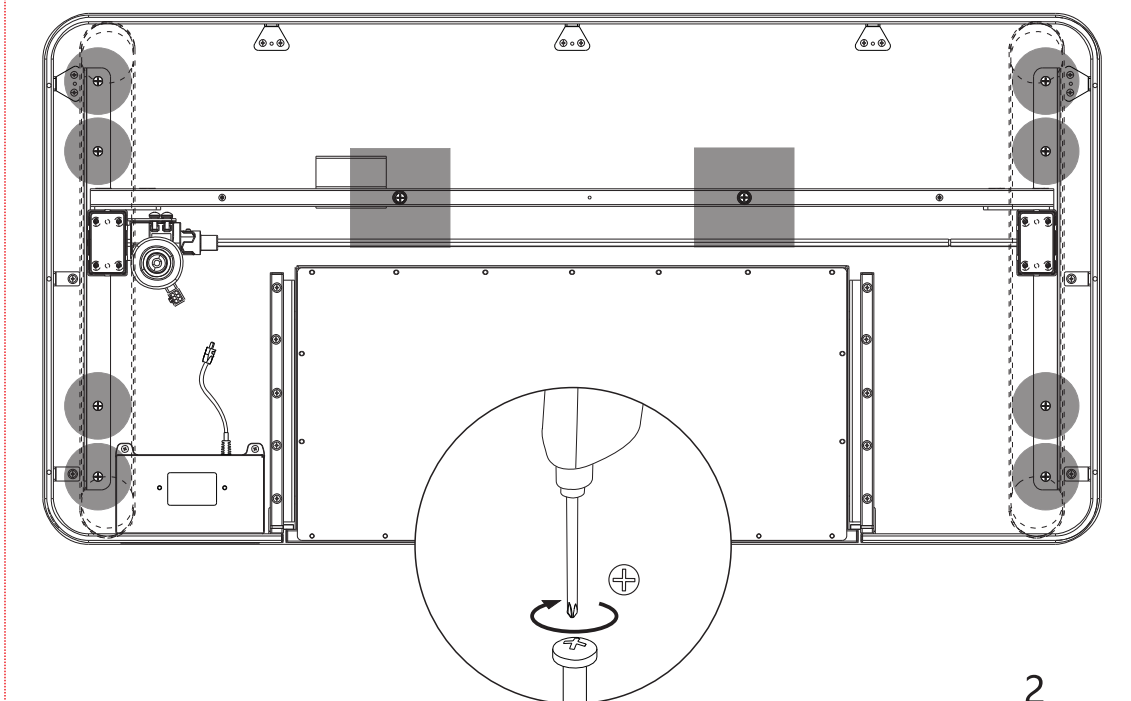
STEP6 Install the adapter bracket



STEP7 Install the Tabletop

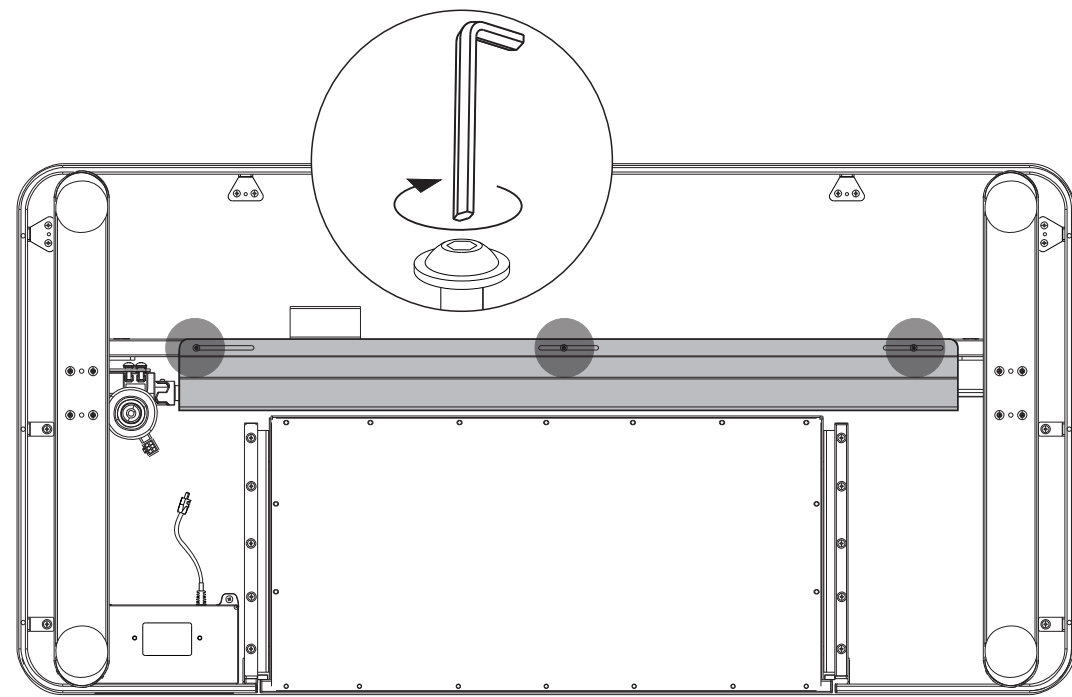
D x10
Self-prepared

The installation sequence for the screws is ●-■

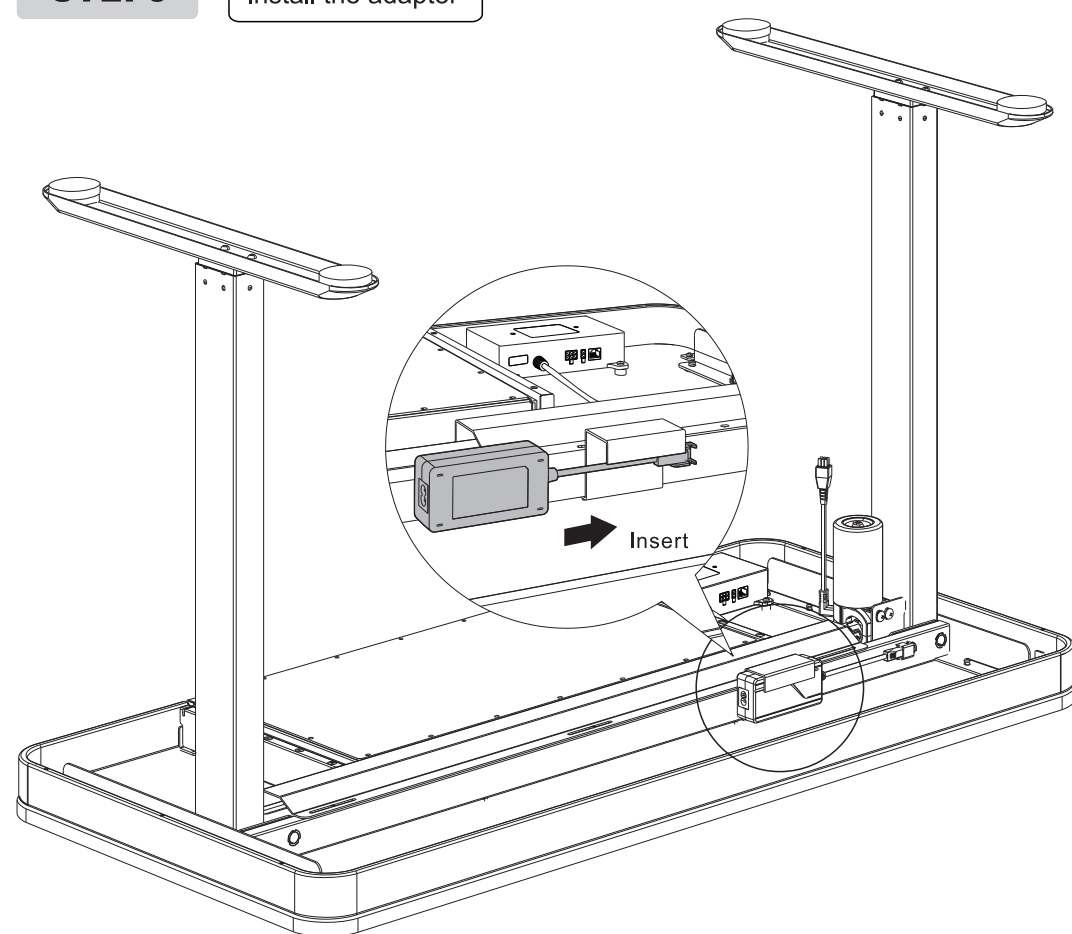


STEP8 Install the Baffle

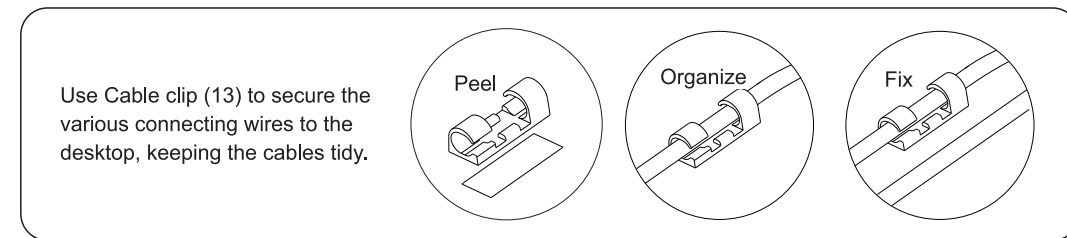
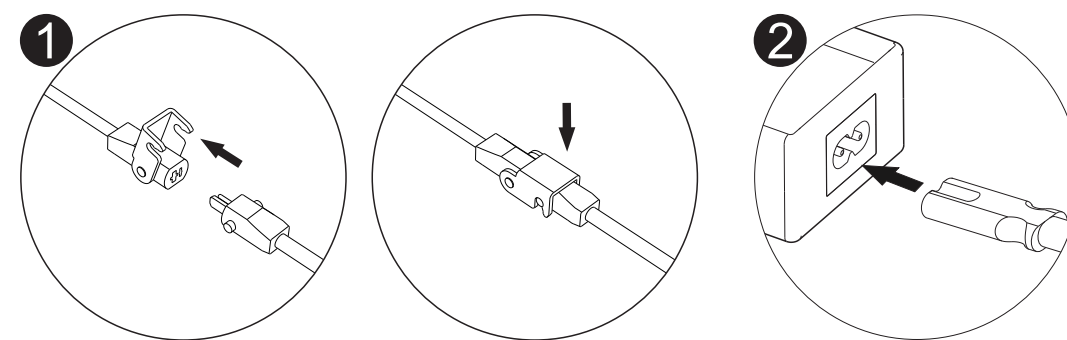
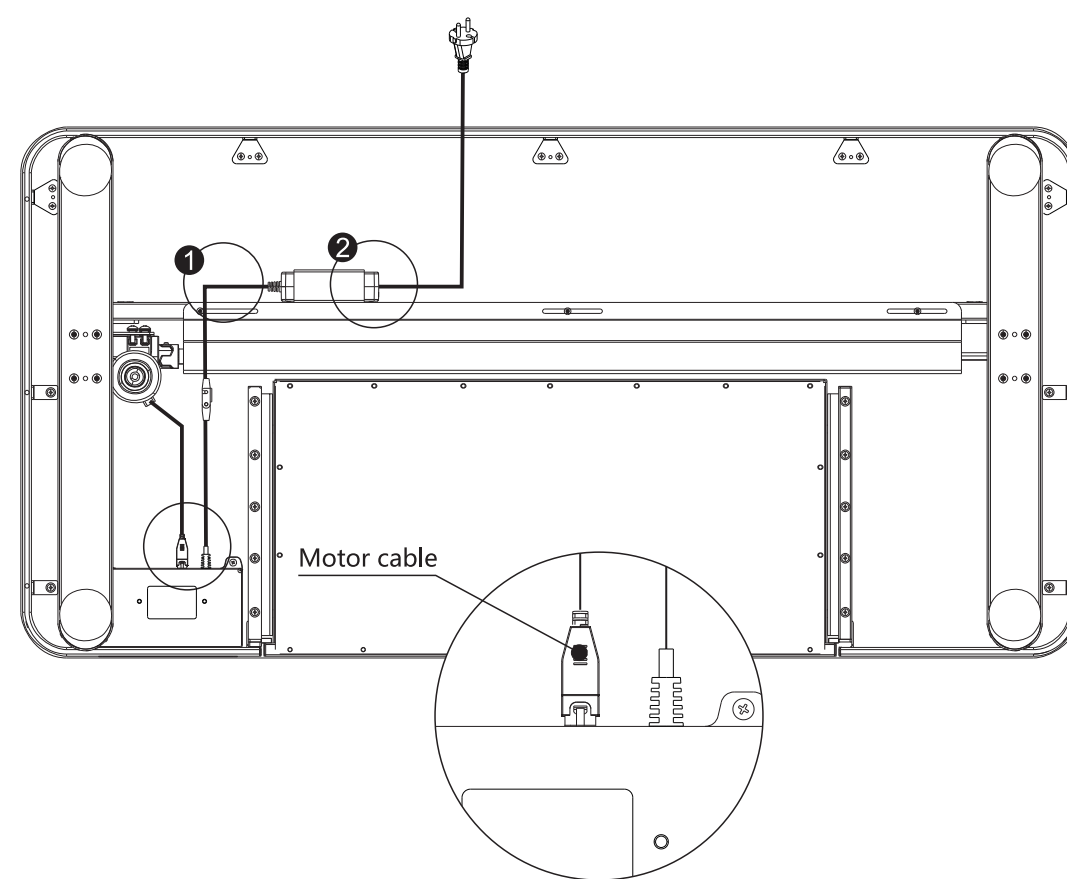
E x3
F x1
2.5x2.5



STEP9 Install the adaptor

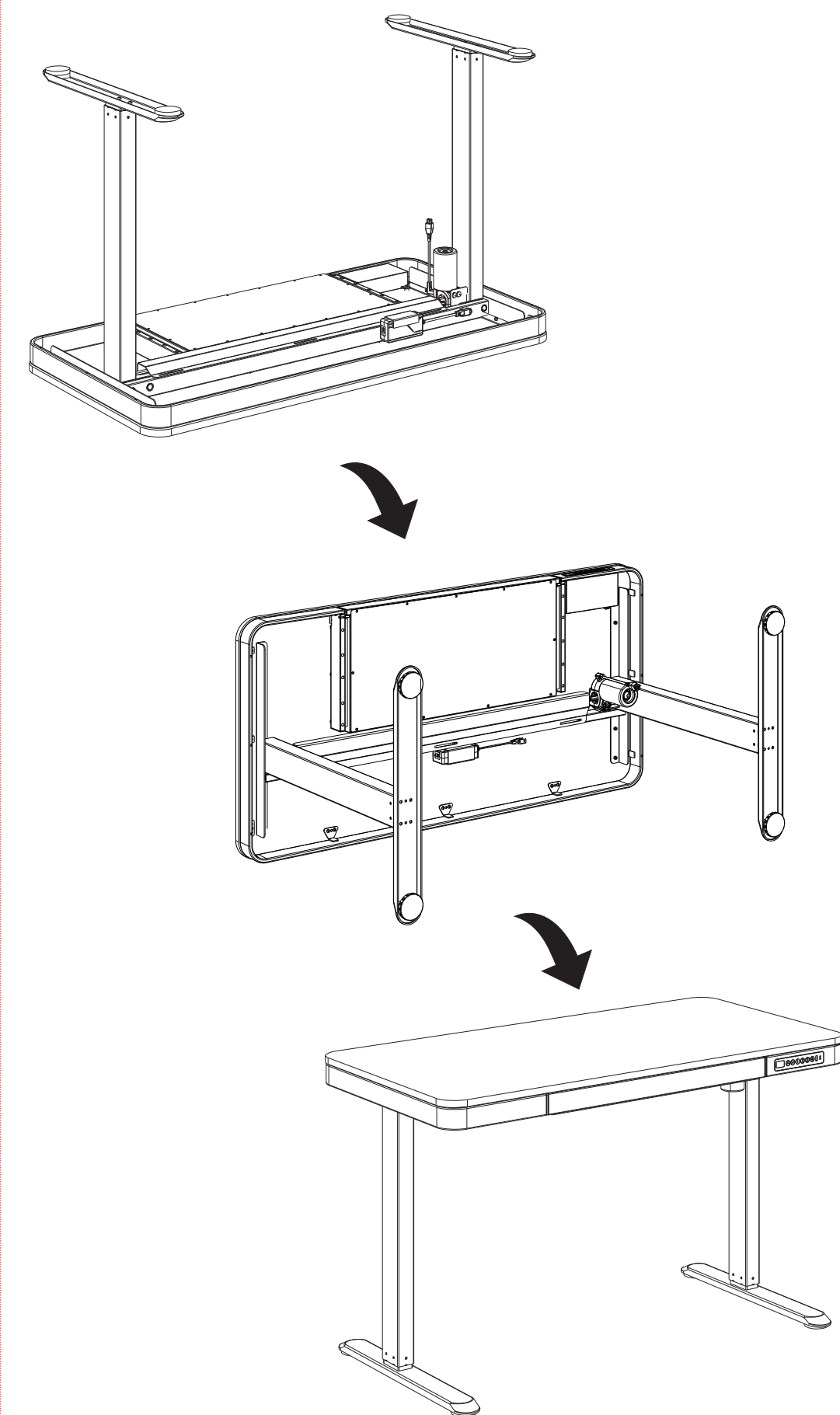


STEP10 Connect the cables

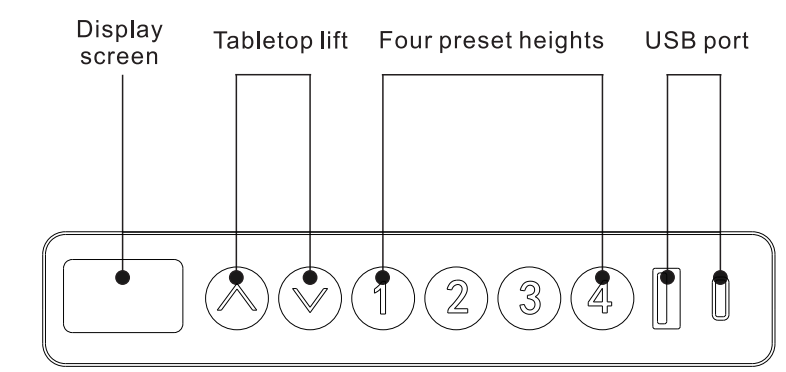


Use Cable clip (13) to secure the various connecting wires to the desktop, keeping the cables tidy.

STEP11 Flip the table



Instructions for using and setting up the handset



Note

Ensure that there are no obstacles blocking the movement of the table during the lifting process and confirm that all cables are long enough for the table to move up and down.

Suggestion

Set the most comfortable height when sitting as "1" and the most comfortable height when standing as "2". Additional preset heights can be freely set to other heights.

Fast charging output parameters

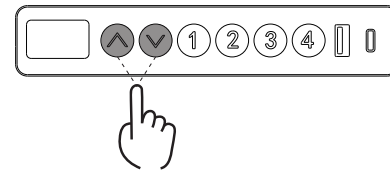
Safety: Built-in over-temperature protection, overcurrent protection, short-circuit protection, etc., and output interface current-limiting protection ensure that the product operates within the normal current range.

Compatibility: The product is compatible with mainstream smartphones and laptops on the market and can charge devices quickly. V=2.25A;

Fast charging features

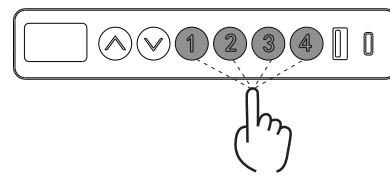
- a. Single USB Type-C port output: MAX 45W, 5V=3A, 9V=3A, 12V=3A, 15V=3A, 20V=2.25A.
- b. Single USB Type-A port output: MAX 27W, 5V=2A, 9V=2A, 12V=1.5A, 15V=1.8A, 20V=0.9A, compatible with Xiaomi CHARGE TURBO, Huawei FCP/SCP, Samsung AFC protocols.
- c. When both Type-C and Type-A are connected to the device, the output voltage drops to 5V to power the device, with a maximum of 22.5W.
- d. The charging function will be disabled while the height-adjustable desk is in the process of height adjustment. Once the height adjustment is stopped, the charging function will resume normal operation.

● Height Adjustment Function



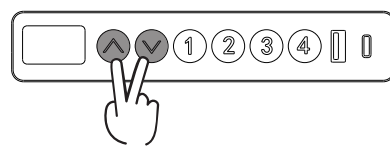
- a. By pressing the "▲" or "▼" button, you can adjust the height of the lifting table up or down, and the current height will be displayed on the screen.

● Height Memory Function



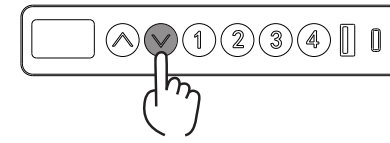
- a. When the desk is in a static state, press and hold the "1" button for three seconds. The display screen will show "5-1", indicating that the current height has been successfully saved. Then, you can adjust the desk to any height, and simply press the "1" button to automatically move to the saved memory height.
- b. The "2", "3", and "4" buttons have the same function as the "1" button. Saving a desired height, pressing the corresponding button, you can move the desk to the saved height.

● Adjusting Collision Sensitivity



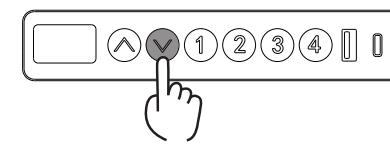
- a. By simultaneously holding down the "▲" and "▼" keys for 3 seconds, you can switch the sensitivity. One operation will switch to the next level, divided into 4 levels (A-3, A-2, A-1, A-0).
- b. The display screen shows "A-0", indicating that the collision prevention function is turned off.
- The display screen shows "A-1", indicating low sensitivity.
- The display screen shows "A-2", indicating medium sensitivity.
- The display screen shows "A-3", indicating high sensitivity.
- c. When the table encounters an obstacle during the process of ascending or descending, it will immediately rebound, providing protection.

● Reset Function



- a. When the display screen shows "r-5L", the height-adjustable desk enters the reset state. Press and hold the "▼" button until the desk reaches the lowest position and stops rebounding. The display screen will show the height number. Release the downward button "▼" to complete the reset process.
- b. When the height-adjustable desk is in a stationary state, simultaneously press and hold the "3" and "4" keys for three seconds to enter the reset mode. Following the above steps will complete the reset process, and it will clear the memorized height settings.

● Troubleshooting



- a. If the display shows "E01" or "E02", please allow the table to rest for at least 18 minutes before using it again.
- b. If there are other error codes and pressing the "▼" downward key does not respond, please check that the connecting cable is not damaged and properly connected. Disconnect the power for at least 10 seconds, then reconnect it. The screen will display "r-5L". Press and hold the "▼" downward key to reset.
- c. If the desk still does not function properly after performing the above steps, please contact customer service for assistance.

Troubleshooting

This list is used for checking and solving faults and errors. Please contact the manufacturer if problem you encounter is not on the list below.

Problem	Solution
The electronic functions are unable to operate properly	Check the cable connection
Speed of lifting is slow	Check if the load weighs more than 50 kg
The worksurface slides downward	
The device often enters the reset state	Perform a reset operation
Only descending, not ascending, or only ascending, not descending	
Insufficient height for ascending and descending	
The bottom cannot rise	Power off for 18 minutes and then reconnect the power
After exceeding the working duty cycle requirements (Duty cycle: Max 2min on/18min OFF)	
The power module cannot be used	Reset or perform the ascending and descending operation first, then wait for 1 second before using
When pressing the down key, the device goes up instead	Check if there are any obstacles or hanging cables under the table



Attention

- Power supply: AC100V-240V, frequency 50/60Hz.
- Operating environment: Indoor, 0-40° .
- Before cleaning, make sure to unplug the power cord. Use a slightly damp cloth to wipe away surface dust, taking care not to let water drip into the internal components or damage the connection wires. Regularly check if screws are loose and tighten them if necessary.
- The electrical box contains electronic components, metals, plastics, wires, etc. Dispose of it according to the environmental regulations of your country, not as regular household waste.
- Before using the product, carefully inspect and ensure that it has been correctly installed. Use only the accessories provided by the manufacturer for installation. Leave adequate safety clearance when placing the product to avoid pinch hazards.
- Before first use, familiarize yourself with all the functions and program settings of the product.
- Children are not allowed to play on this product. Certain unpredictable behaviors may result from children playing on the product, and the manufacturer will not be responsible for any resulting accidents.
- Slight noises from the multi-belt or brake system caused by the structure will not affect the use of the equipment.
- The use of corrosive or abrasive materials for cleaning equipment is prohibited. Make sure that the cleaning agents used will not contaminate the environment.
- Operate the equipment only after understanding the relevant hazards. Children under the age of 14 or individuals with physical or sensory impairments or mental disabilities should use the equipment under proper supervision and guidance. Children should not have unattended access to the product.
- Children should not perform cleaning and user maintenance without supervision.
- In case of power cord damage, it must be replaced by the manufacturer or relevant professionals to avoid injury.
- Ensure that your operating environment is free of any potential hazards, such as not littering tools. Always handle packaging materials with caution to avoid various potential dangers, such as the choking hazard posed by children playing with plastic bags.
- When moving the product, ensure that there are no items placed on the table, the drawers and doors are closed securely, screws are tightened, and the power plug is unplugged. Use at least 2 people for moving. If necessary, keep the original packaging for future transportation.
- When storing for a long time, unplug the power cord and clean out any loose objects. Store it in a cool and dry place.
- This product contains small parts that can pose a choking hazard if swallowed accidentally. Keep these small accessories away from children.

Waste disposal



This marking indicates that this product should not be disposed with other household wastes. To prevent possible harm to the environment or human health from uncontrolled waste disposal, recycle it responsibly to promote the sustainable reuse of material resources. To return your used device, please use the return and collection systems or contact the retailer where the product was purchased. They can take this product for environmental safe recycling.